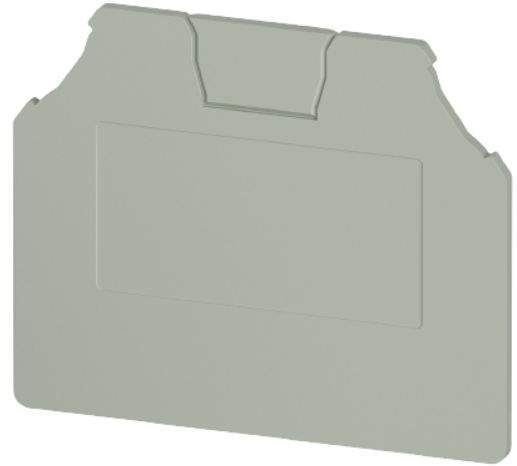


Data sheet

Commercial Art.No.: 0D.S16.2055.0

end plate APWTN 16



| | |
|--------------------|---------------|
| Commercial Art.No. | 0D.S16.2055.0 |
| EAN | 4049088723766 |
| Order Unit | 100 |

Technical data

general

| | |
|--|---------|
| color | grey |
| type of end plate | yes |
| thickness | 1.5 mm |
| flammability class of insulation material acc. with UL94 | V0 |
| length | 48.3 mm |

classification

| | |
|----------|----------|
| ETIM 9.0 | EC000886 |
|----------|----------|

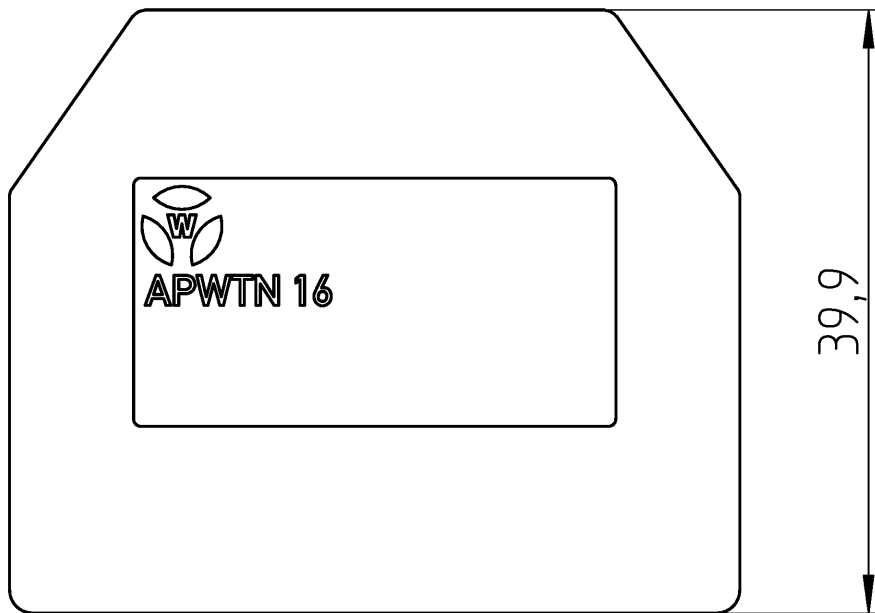
product compliance

| | |
|------------------------------|-----------|
| REACH-SVHC conformity status | compliant |
|------------------------------|-----------|

1 2 3

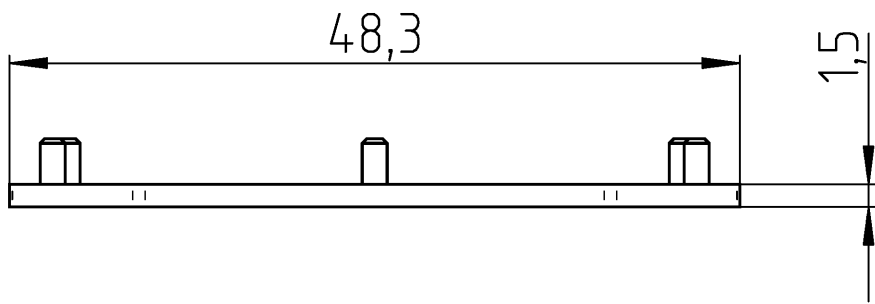
A

© Alle Rechte vorbehalten
 © All rights reserved
 Vertraulichkeitsklasse
 Confidentiality Class: Vertraulich
 Confidential



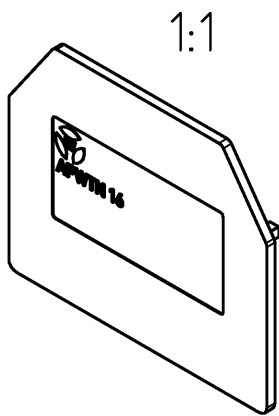
B

These dimensions will be especially checked at delivery
 Only inspection dimensions
 With JE marked dimensions are only valid for internal use



D

Diese Maße werden bei Abnahme besonders geprüft
 Ausschließlich Prüfmaße
 Mit JE gekennzeichnete Maße sind nur für interne Zwecke gültig



| | | |
|---------------------------|--------------|------------------|
| Bestell-Nr. /order no. | Typ /type | Farbe /colour |
| 0D.S16.2055.0 | APWTN 16 | grau / grey |

Weitere Daten siehe KATALOG oder eKatalog
 additional data see CATALOG or eCATALOG
www.wieland-electric.com
eshop.wieland-electric.com

Tolerierung Size ISO 14405 (E) / Tolerance system Size ISO 14405 (E).
 (This ISO-standard describes the envelope principle. According to the envelope principle the deviations of form and parallelism are limited by the size tolerances).
 ja/yes Stoffverbots- und Deklarationsliste nach WN 5020.010 ist einzuhalten.
 Conformity with Wieland document WN 5020.010 e (list of prohibited / declarable hazardous substances) to be declared!

Freitoleranz nach General tolerance CAD - Zeichnung, keine manuellen Änderungen CAD - drawing, no manual modifications allowed 1. Verwendung: First Use: Blatt: 1 von 1 Sheet: 1 of 1

| | | | | | | |
|----------------------|-------------------------------|--|-----------------|-------------------------------|-------------------|-------|
| Werkstoff / Material | | Tag/Date | Name | Zeichnung Nr. / Drawing No. | | Index |
| | | gezeichnet drawn | 20.10.2025 | Eichhorn N. | 0D.S16.2055.0 13K | |
| | | Elektronische Freigabe Electronic Release | | | | |
| Vol. | mm ³ | Ofl./Srf. | mm ² | Ersatz für / Replacement for: | | |
| | | Type | Benennung/Title | | | |
| | | ABSCHLUSSPLATTE | | | | |
| | | end plate | | | | |
| Index | Datum / Blatt Date / Sheet | wieland | | | | |
| Änderung / Revision | | | | | | |